

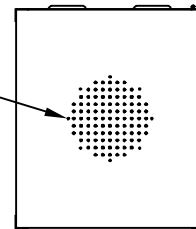
PART NAME ECONOMIZER UPRIGHT ADD-A-RACK (19' P.S., VENTILATED)

PART No.

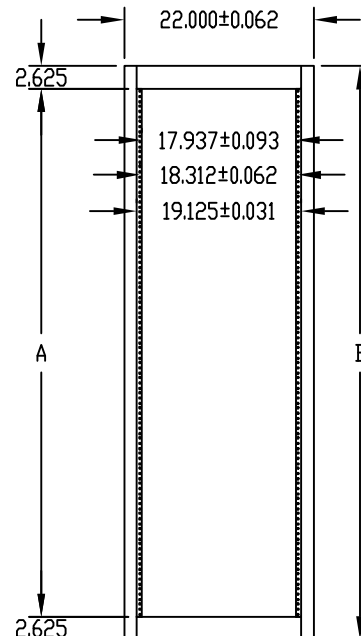
ER-16652 thru ER-16676

- NOTES:**
- ① PANEL MOUNTING RAILS TAPPED #10-32 ON E.I.A. UNIVERSAL SPACING AND ARE FULLY ADJUSTABLE.
  - ② MOUNTING HOLES PIERCED IN BASE FOR #RC-7758 CASTERS.
  - ③ LOAD RATING: 1200 LBS. MAX.

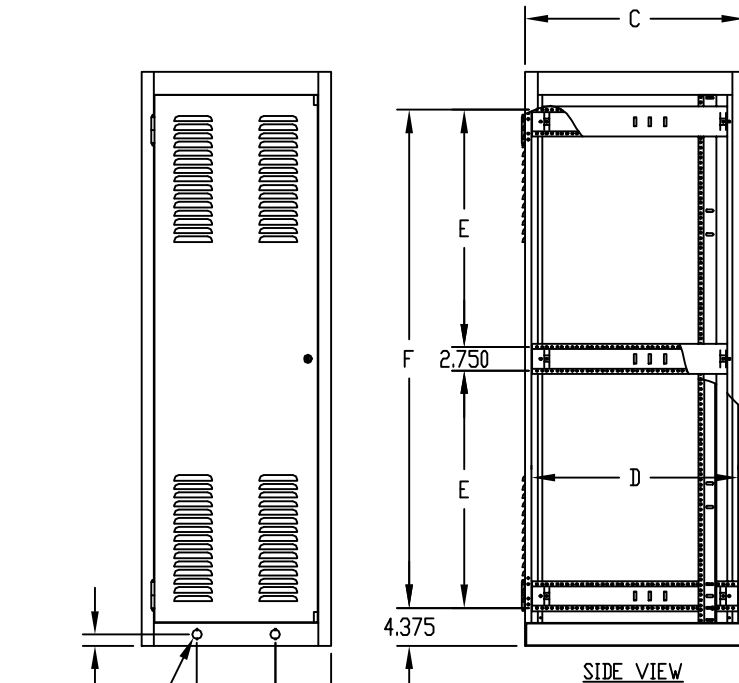
MOUNTING PROVISIONS FOR OPTIONAL FAN.



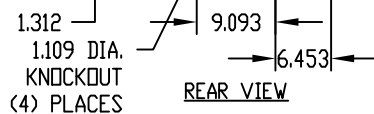
TOP VIEW



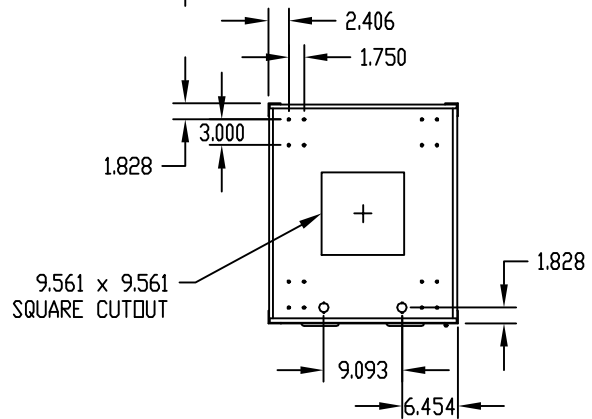
FRONT VIEW



SIDE VIEW



REAR VIEW



BOTTOM VIEW

**MATERIAL:**  
 REAR DOOR \_\_\_\_\_ 20 GA. STEEL  
 REAR DOOR STIFFENER \_\_\_\_\_ 18 GA. STEEL  
 TOP, BOTTOM, RAIL SUPPORTS  
 AND DOOR STOPS \_\_\_\_\_ 16 GA. STEEL  
 VERTICAL RAILS \_\_\_\_\_ 14 GA. STEEL  
 PANEL MOUNTING RAILS \_\_\_\_\_ 12 GA. STEEL

**FINISH:**  
 FRAME ASSEMBLY \_\_\_\_\_ SAND TEXTURE  
 AND REAR DOOR \_\_\_\_\_ ROYAL BLUE TEXTURE  
 \_\_\_\_\_ BLACK TEXTURE

PANEL MOUNTING RAILS  
 AND DOOR STOPS \_\_\_\_\_ SMOOTH BLACK

OPTIONAL ACCESSORIES

PART NO.	PANEL SPACE A	B	C	D	E	F	PANEL MTG. RAILS PART NO.	PLEXIGLAS DOORS PART NO.
ER-16652	42.000	47.312	18.500	17.000	—	38.562	PMR-9450	V-9063-A
ER-16653	52.500	57.812			—	49.062	PMR-9451	V-9064-A
ER-16654	61.250	66.562			27.531	57.812	PMR-9452	V-9065-A
ER-16655	70.000	75.312			31.906	66.562	PMR-9453	V-9066-A
ER-16656	78.750	84.062	18.500	17.000	36.281	75.312	PMR-9454	V-9067-A
ER-16662	42.000	47.312	25.500	24.000	—	38.562	PMR-9450	V-9063-A
ER-16663	52.500	57.812			—	49.062	PMR-9451	V-9064-A
ER-16664	61.250	66.562			27.531	57.812	PMR-9452	V-9065-A
ER-16665	70.000	75.312			31.906	66.562	PMR-9453	V-9066-A
ER-16666	78.750	84.062	25.500	24.000	36.281	75.312	PMR-9454	V-9067-A
ER-16672	42.000	47.312	30.750	29.250	—	38.562	PMR-9450	V-9063-A
ER-16673	52.500	57.812			—	49.062	PMR-9451	V-9064-A
ER-16674	61.250	66.562			27.531	57.812	PMR-9452	V-9065-A
ER-16675	70.000	75.312			31.906	66.562	PMR-9453	V-9066-A
ER-16676	78.750	84.062	30.750	29.250	36.281	75.312	PMR-9454	V-9067-A